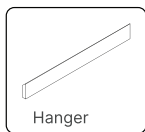


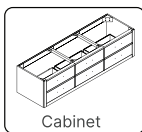
INSTALLATION GUIDE

ARIEL

PART LIST

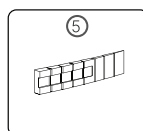
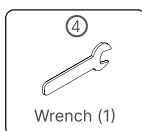
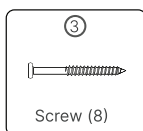
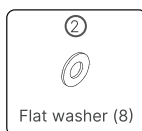
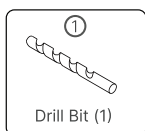


A

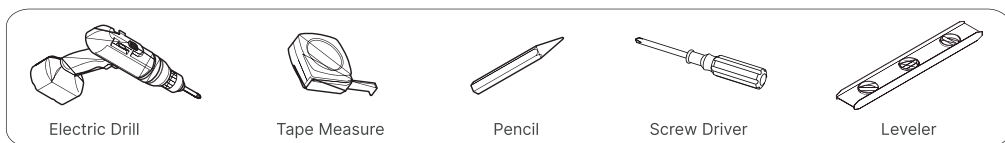


B

HARDWARE



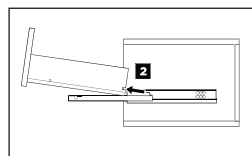
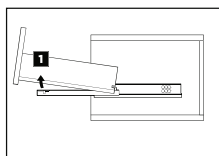
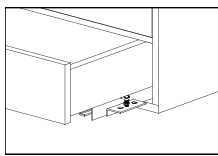
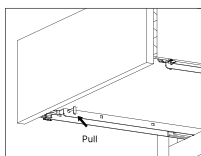
REQUIRED TOOLS NOT IN BOX



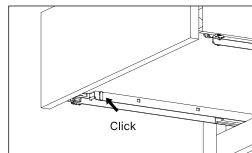
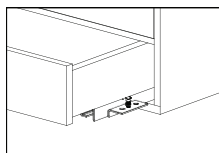
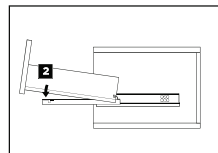
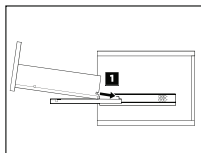
Before starting, check that your wall is plumb and flat. If not, the cabinet will need to be packed out so that it is sitting level; otherwise, the cabinet will twist, causing the doors and drawers to be out of alignment and not function correctly.

DRAWER REMOVAL & INSTALLATION

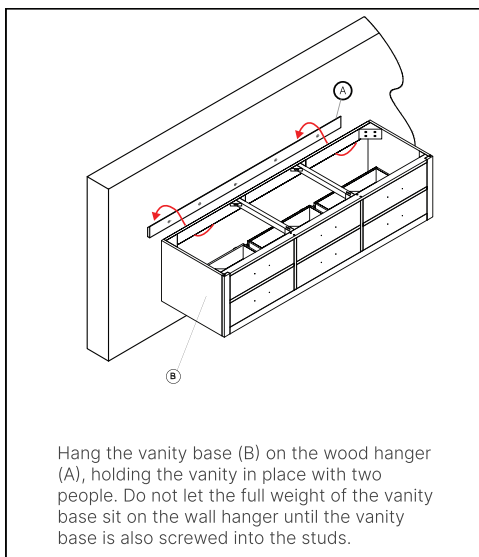
REMOVAL



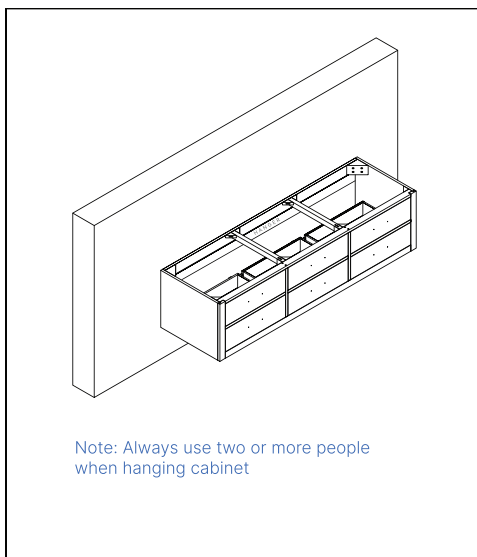
INSTALLATION



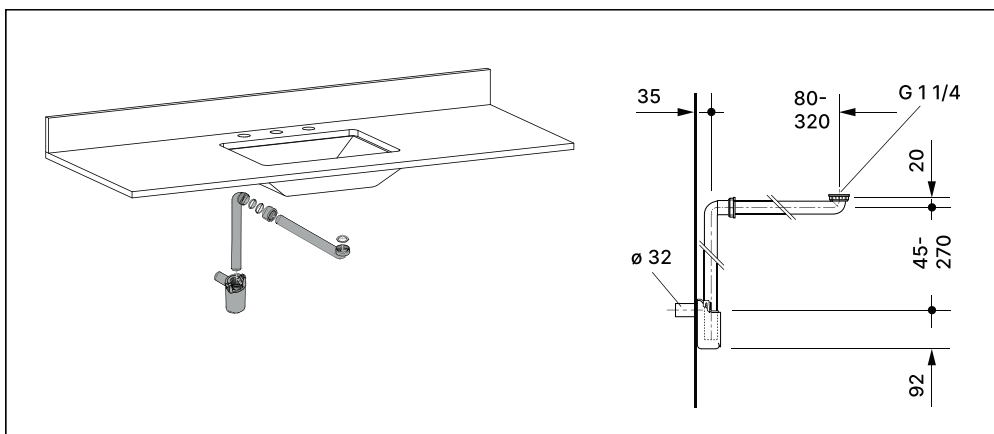
STEP 4



STEP 5

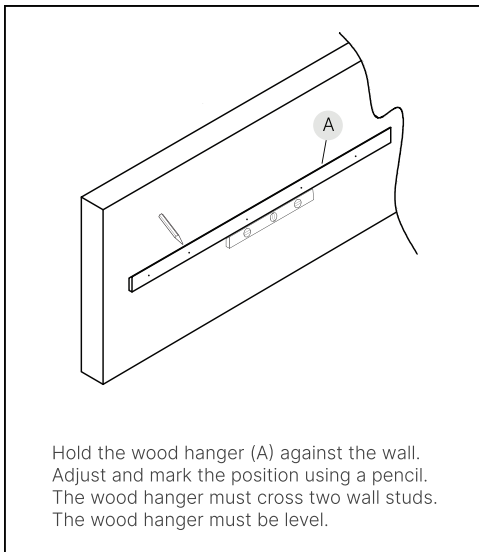


SPACE SAVING TRAP

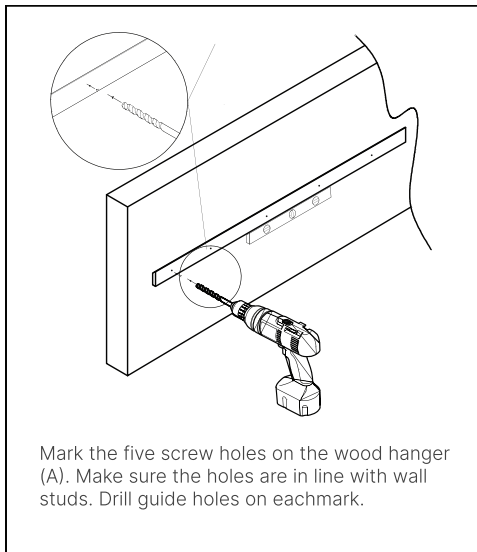


CABINET ASSEMBLY

STEP 1



STEP 2



STEP 3

